

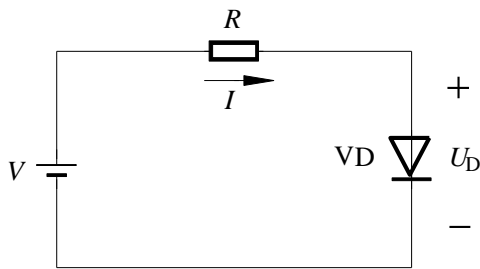
815 ; _____ A :
: _____

1

= 列= 列: 1

1? = V 6V = I 2mA = $U_D = 0.7V$ V 3V =

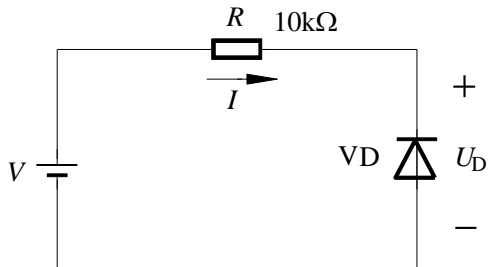
A $\frac{I}{1mA} =$ B 1mA = C 1mA = 2mA = D 2mA



2? 100V = V 10V = I 1μA V

20V = I _____

A 2μA 各= B 1μA = C = D 2μA



3? = = _____ =

A = B = C _____

4? N

A = B _____ P = _____

C 业 = = D =

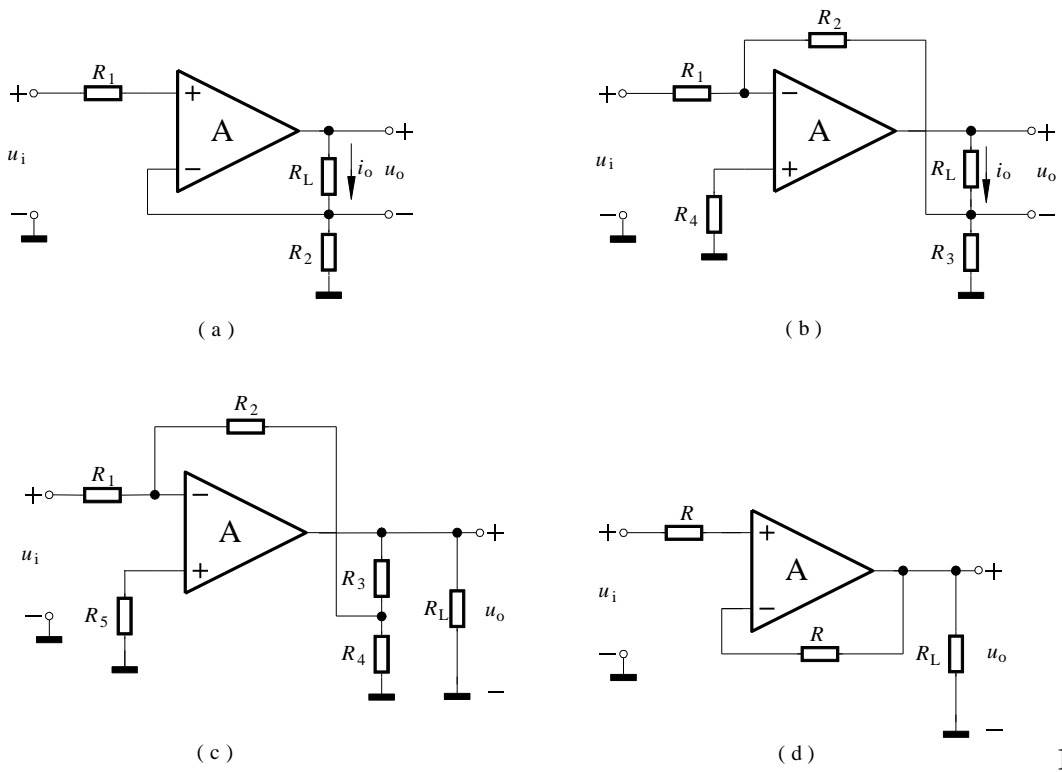
5?

(1)? _____

(2)? _____

(3)? _____

(4)? _____



1

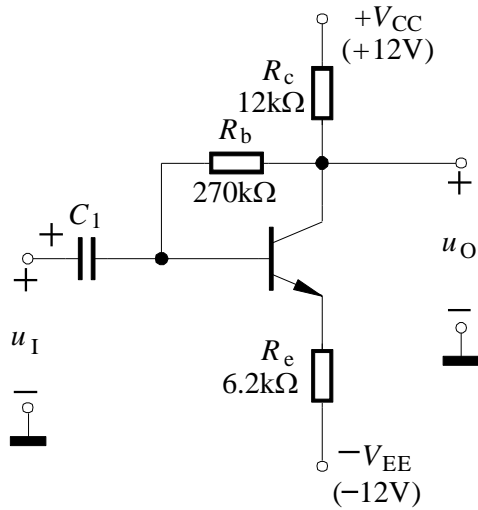
14 列:

β

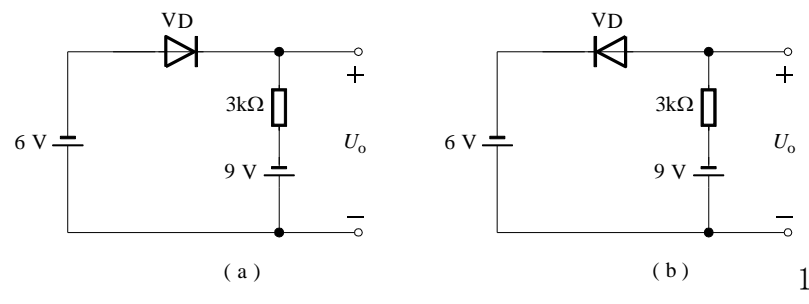
$\beta = 50, U_{BEQ} = 0.6V$

I_{BQ}, I_{CQ}

U_{CQ}, U_{EQ}



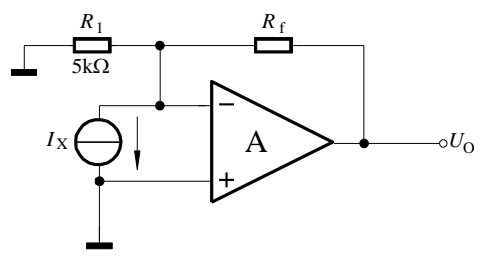
=



2 = 8 列 = 16 列:
= I_X = A

1? U_O I_X

2? $R_f = 5k\Omega =$ $U_{OM} \pm 12V =$ $I_{XM} ?$

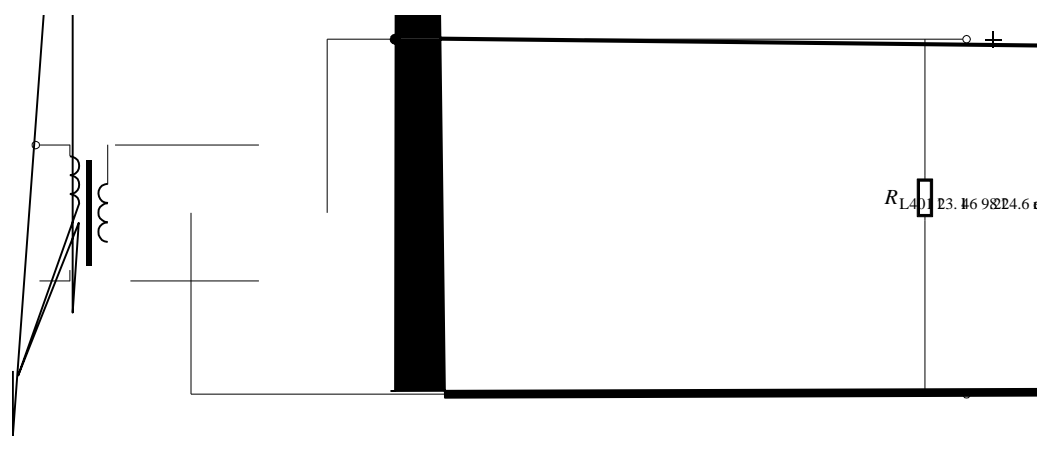


2 = 8 列 = 16 列:
= VD_Z $U_Z = 5.3V =$

$U_{BE} = 0.7V$

1? R_W $U_O = 15V =$ R_W

2? R_W U_O



3 = 5 列 = 15 列:
1

9 9 19 9 19 9 1

3 = 5 列 = 15 列:

=

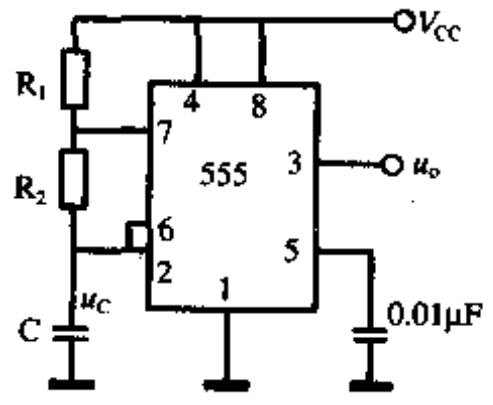
555

= $R_1=3 \times 9k$ = $R_2=3k$ = $C=1 \mu F$

1: 555

2: u_c u_o

3: u_o



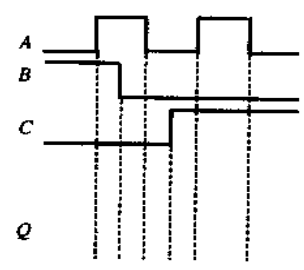
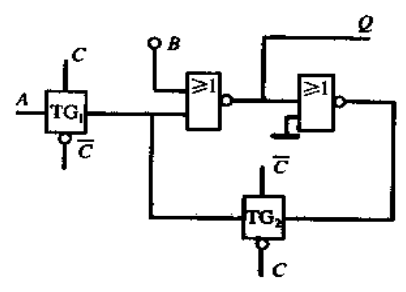
3 = 5 列 = 15 列:

CMOS

1: $C=0$ Q

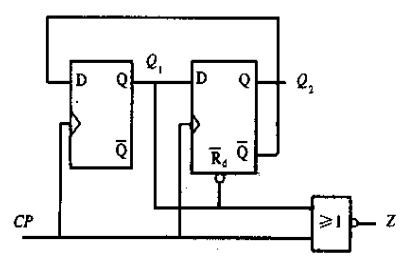
2: $C=1$ Q

3: Q



15 列:

CP Q1 Q2 Z D 0



1